

SEPARATOR




SWECO

®

HIGH-TEMP SEPARATOR

MANUFACTURED TO WITHSTAND
CONDITIONS FOR APPLICATIONS
INVOLVING HIGH TEMPERATURE
MATERIALS



HIGH-TEMP
HT48 SEPARATOR

HIGH-TEMP HOT OIL SEPARATOR

Specifically engineered for hot cooking oil applications of approximately 400°F

HOT COOKING OIL

Nothing takes its toll on a vibratory round separator like extreme temperature conditions. When temperatures are too high, many components of any standard round separator are in danger of failing.

Specifically, heat can wreak havoc on the motion generator, lubrication, gasketing and other rubber goods, as well as any component in the separator that is vulnerable to degradation.

The High-Temp Separator has been engineered specifically to combat the challenges associated with hot cooking oil applications.

As hot material is fed into the

separator for screening, the heat from the material disperses to all components of the separator, increasing the risk of failure of those components.

The SWECO High-Temp Separator offers a solution for the complications associated with high temperature applications. SWECO Engineers have employed innovative cooling techniques to build a more durable and heat resistant separator.

Even though the High-Temp Separator was engineered specifically for hot cooking oil applications, the separator can be used with many other high temperature applications.

AVAILABLE IN 48" and 60" DIAMETER MACHINES

The High-Temp models utilize the Round Separator HX Series platform affording users increased safety, improved clean-up, and simplified adjustments.

INCREASED SAFETY

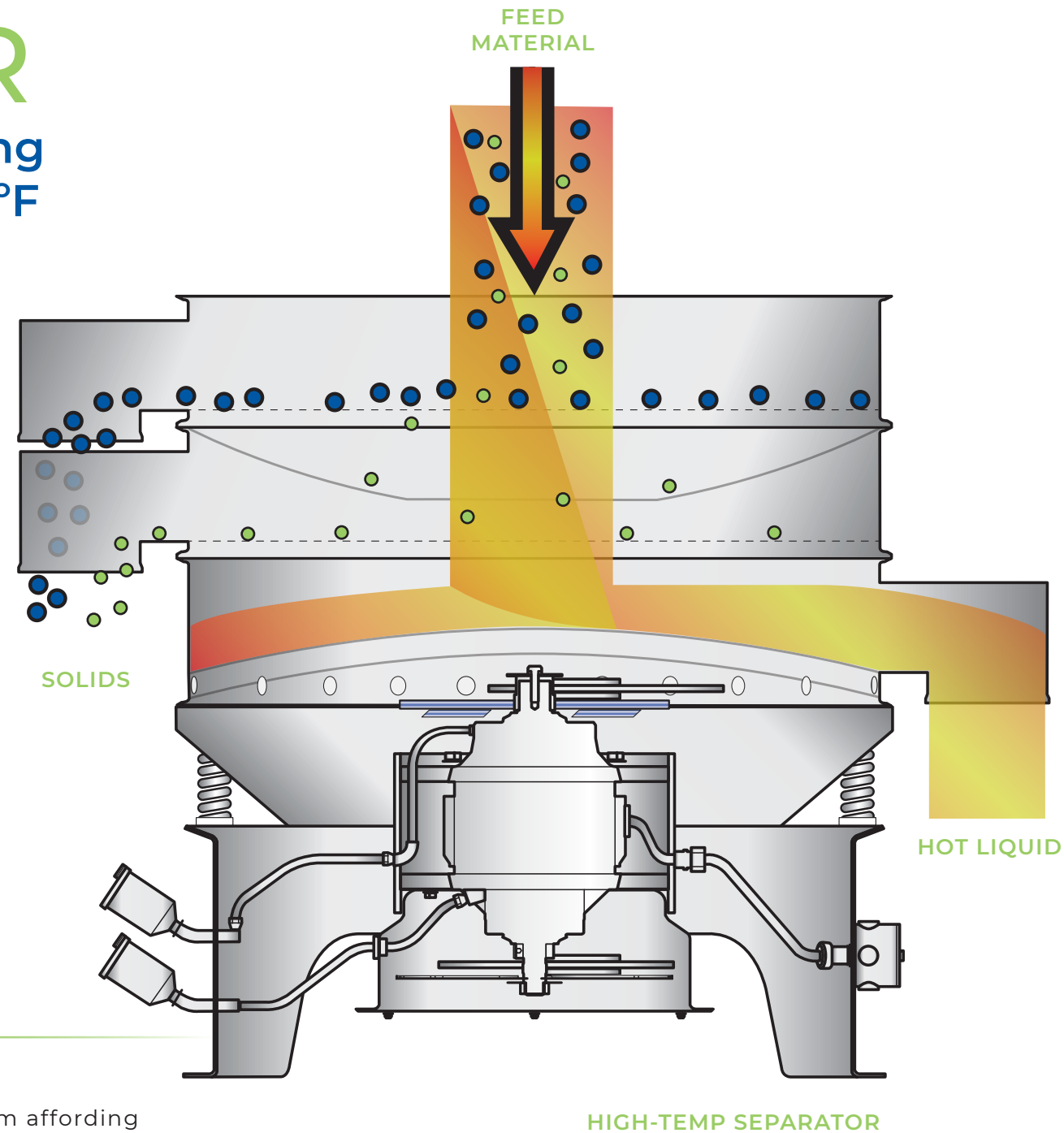
A lower weight guard encloses the motor and lower weight assembly, virtually eliminating the risk of reach-in injuries.

IMPROVED CLEAN-UP

The open base construction promotes cleaning underneath the unit, preventing dirt and product build-up to occur.

SIMPLIFIED ADJUSTMENTS

With the ProGlide™ Linear Weight System there is only one weight to move. The weights are moved radially to dial in the optimal amplitude and force.



BRASS MOTOR BEARING CAGE

The High-Temp Separator features a motion generator with a brass cage bearing instead of the conventional polyamide cage. The brass cage increases the bearing temperature limit significantly, providing added protection against heat degradation of the cage itself and ultimately the grease lubricating the motor bearings.



HIGH-TEMP BRAIDED HOSES

Braided stainless steel hoses are used for all lube lines from the separator's TechLube™ Systems to the motion generator. These stainless steel hoses provide protection from higher temperatures, reducing the chances of lubrication degradation. And the stainless steel hoses will not be compromised by external hot oil drips.



SS INSPECTION OPENINGS

To virtually eliminate the possibility of material degradation, the cover and frame inspection openings for the High-Temp Separator will have stainless steel covers, high-temp gasketing, and a T-handle device for easy opening instead of the standard rubber cover insert.



HI-TEMP SPRING SPOOL MATERIAL

High temperature material is used for the spring spools, reducing the possibility of material degradation and ultimately providing longer life to the spools and the springs.

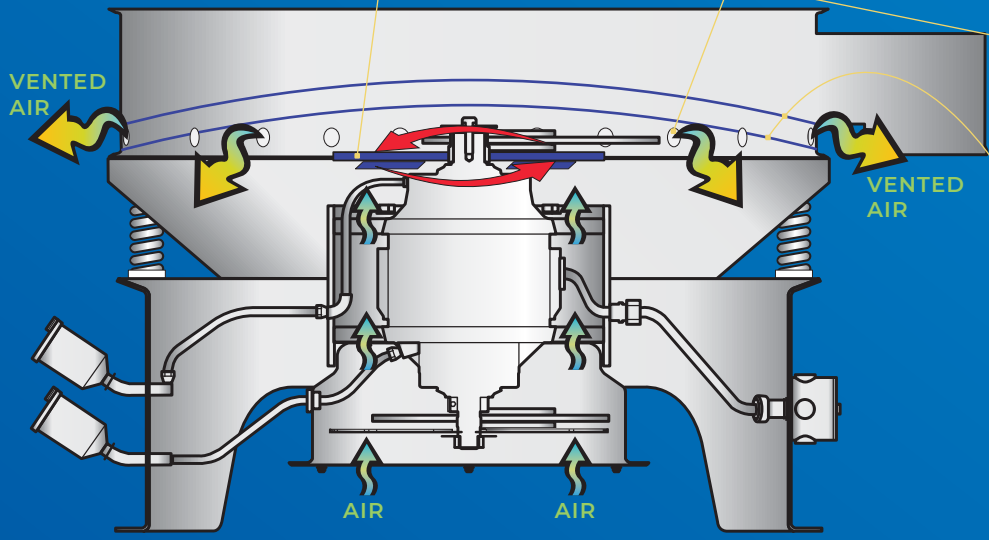


INNOVATIVE LOWER TABLE AND DRIVE



MOTION GENERATOR FAN

In extreme temperature applications, cooling the motor column helps to extend the life of the motion generator. A fan on the top weight system on the motion generator draws air through the motor column to keep ambient air circulating, drawing the heat away from the motion generator. Additional venting to the bottom motor column cover and the lower table allows the fan to generate more airflow through the column.



DOUBLE DOMED FRAME WITH VENTS

The bottom table frame has been engineered to include a secondary dome to provide an additional level of insulation between the separation assembly (hot product) and drive assembly.

Additionally, vent holes have been added to the table frame to allow the hot air to exit the area, providing further relief from the heat for the motion generator.



Manufacturers worldwide rely on SWECO.

We span five continents with 9 manufacturing and support facilities and over 100 sales and service representative offices.

So, wherever you are, be assured that SWECO – the global leader in screening technology – is there when you need us.

SWECO has sales agents and/or licensees in most countries.